

GENERAL INFORMATION

Project Name: _____

Item: _____

Quantity: _____

Model: _____ DECO-106-N

Length: _____

STANDARD NSF LISTED FINISH OPTIONS

- Stainless Steel #4
- Chrome
- Gloss Black
- Wrinkle Black
- Smoked Copper
- Polished Brass Finish
- Other _____

TUBE OPTIONS

- 1-1/2" Round (standard)
- 1" Round Diameter
- 1" Square
- 1-1/2" Square

GLASS THICKNESS

- 1/4" Tempered Glass (not for shelves)
Centerline Max 54"

GLASS PANEL OPTIONS

- Full Perimeter Channel

INSTALLATION OPTIONS

- Above-Counter:** Round Tube
 - Narrow Flange
 - Round Flange
- Under-Counter:** Round Tube

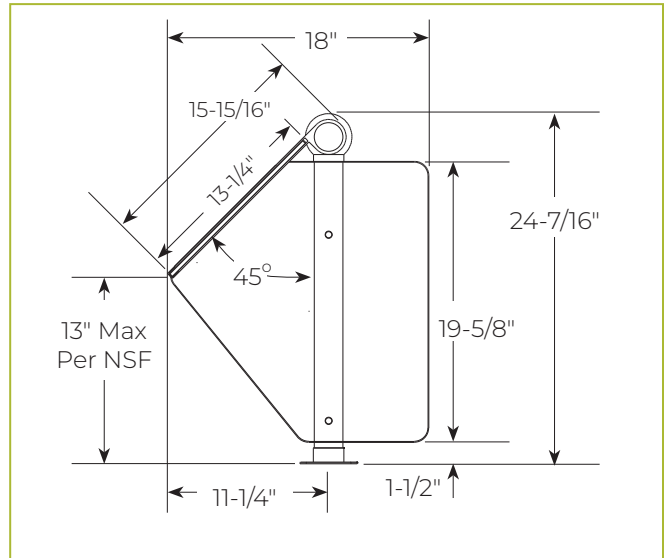
See installation page for more information.

Approval Drawings Required.
Specifications subject to change without notice.

DECO-106-N Self-Serve Food Shield



Shown without end panels.



To meet NSF guidelines, end panels are included on all BSI quotations unless specifically excluded.

Shipped fully assembled.